



INSTRUCTION BULLETIN

No. 9004902
Machine: S30/S30XP/
S30X4
Published: 05-2008
Rev. 00

NOTE: DO NOT DISCARD the Parts List from the Instruction Bulletin. Place the Parts List in the appropriate place in the machine manual for future reference. Retaining the Parts List will make it easier to reorder individual parts and will save the cost of ordering an entire kit.

NOTE: Numbers in parenthesis () are reference numbers for parts listed in Bill of Materials.

Installation instructions for **kit number 9004901**

SYNOPSIS:

This kit contains parts needed to install door bumpers on S30 machines serial numbers 001000-001089. Please follow step-by-step instructions.

SPECIAL TOOLS / CONSIDERATIONS: NONE

(Estimated time to complete: 1/2 hour)

PREPARATION:

(Refer to FIG. 1)

1. Park the machine on a clean level surface, turn off the machine, remove the key, and set the parking brake.

FOR SAFETY: Before leaving or servicing machine, stop on level surface, turn off machine, and remove key.

2. Open the top cover and side shroud.

INSTALLATION:

1. Drill three 0.25" holes into the frame of the machine. Refer to Fig. 1 for locations.

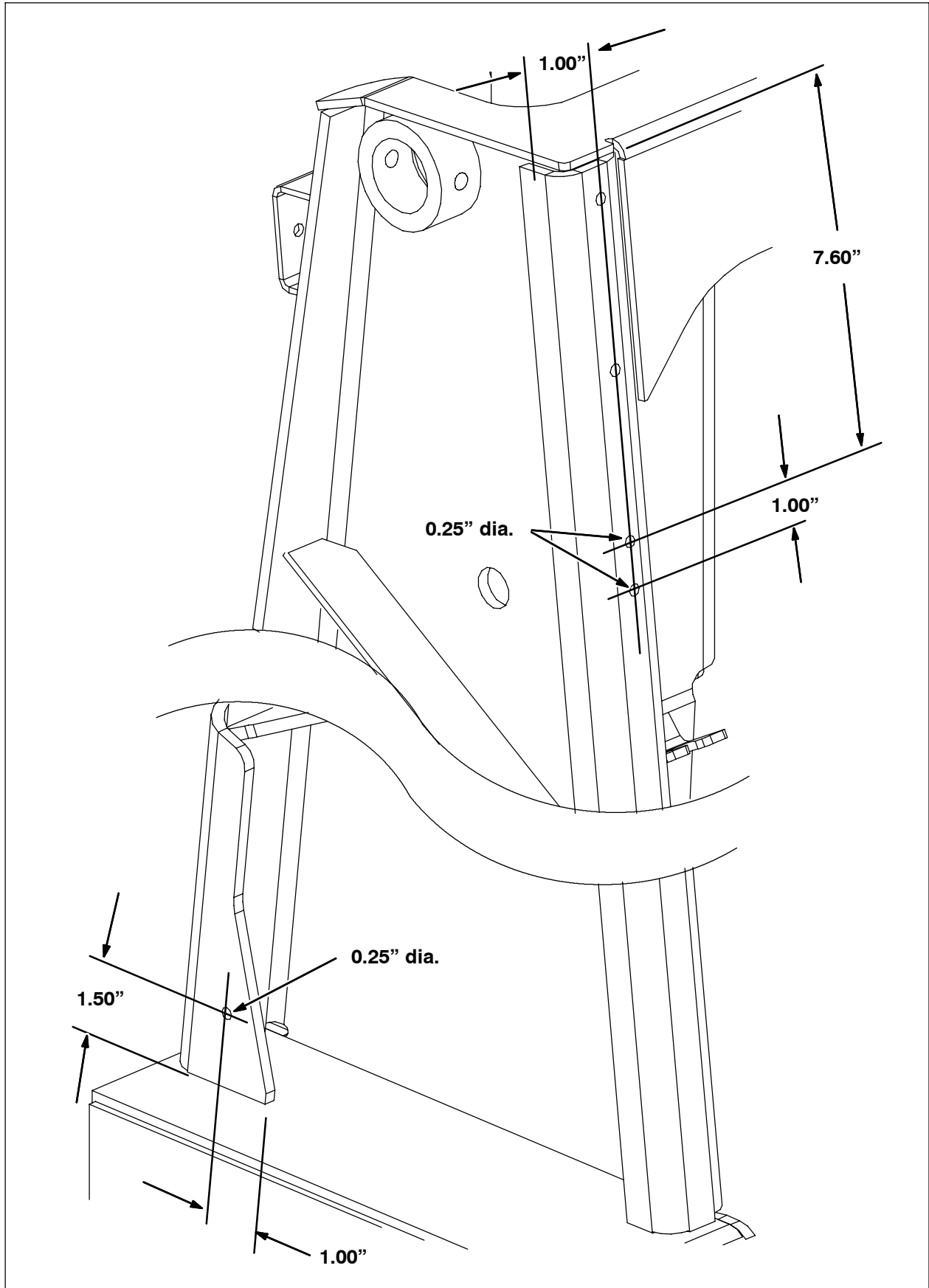


FIG. 1

- Use a pan screw (3) and a hex nut (4) to install the rubber bumper (2) onto the bumper bracket (1). Refer to Fig. 2.

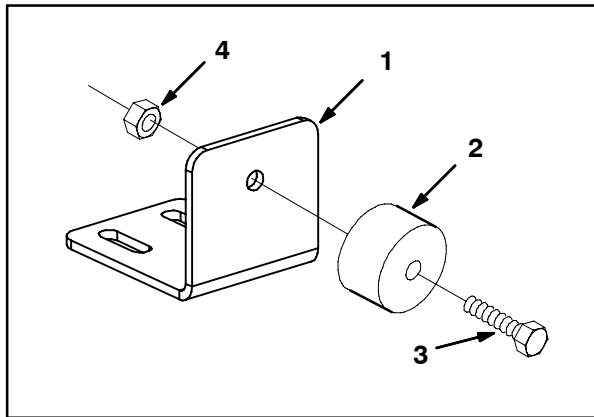


FIG. 2

- Use a pan screw (3) and a hex nut (4) to install the other rubber bumper (2) onto the frame of the machine. Refer to Fig. 4.

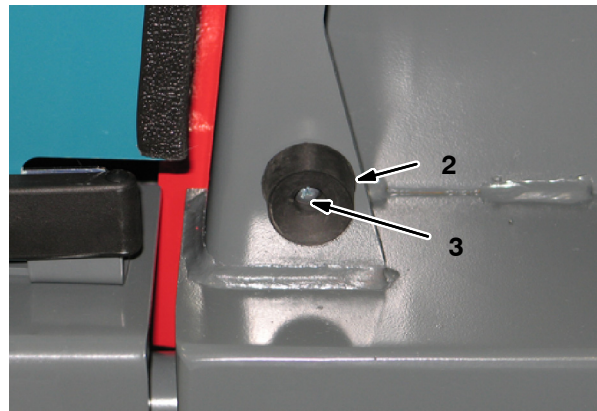


FIG. 4

- Use two hex screws (6) and two flange nuts (5) to attach the bumper bracket (1) to the machine. Refer to Fig. 3.

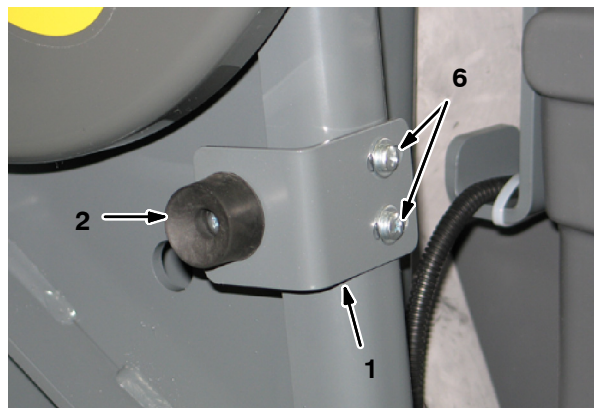


FIG. 3

- Close the side shroud against the rubber bumpers (2) to ensure the door closes securely.

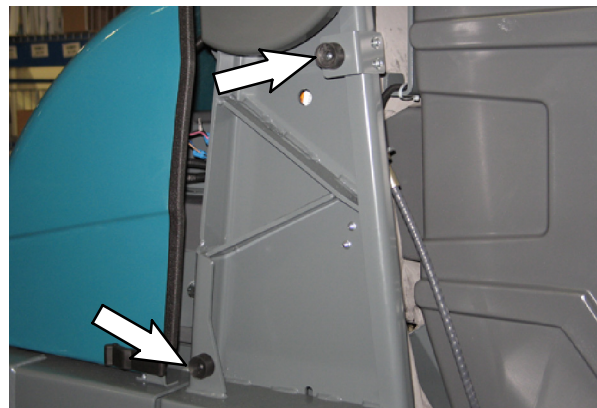


FIG. 5

Bill of Materials for Bumper Kit, Door, Side [S30] - 9004901

Ref.	Tennant Part No.	Description	Qty.
▽	9004901	Bumper Kit, Door, Side [S30]	1
▲	1046836	Bracket, Bumper [S30]	1
▲	2	Bumper, Rbr, 1.2D 0.72L	2
▲	3	Screw, Pan, Phl, M5 X 0.80 X 20, 4.8	2
▲	4	Nut, Hex, Lock, M5 X 0.80, NL	2
▲	5	Nut, Hex, Flng, M6 X 1.00	2
▲	6	Screw, Hex, M6 X 1.00 X 25, 9.8 Sems	2

TENNANT COMPANY
P. O. Box 1452
Minneapolis, MN 55440-1452